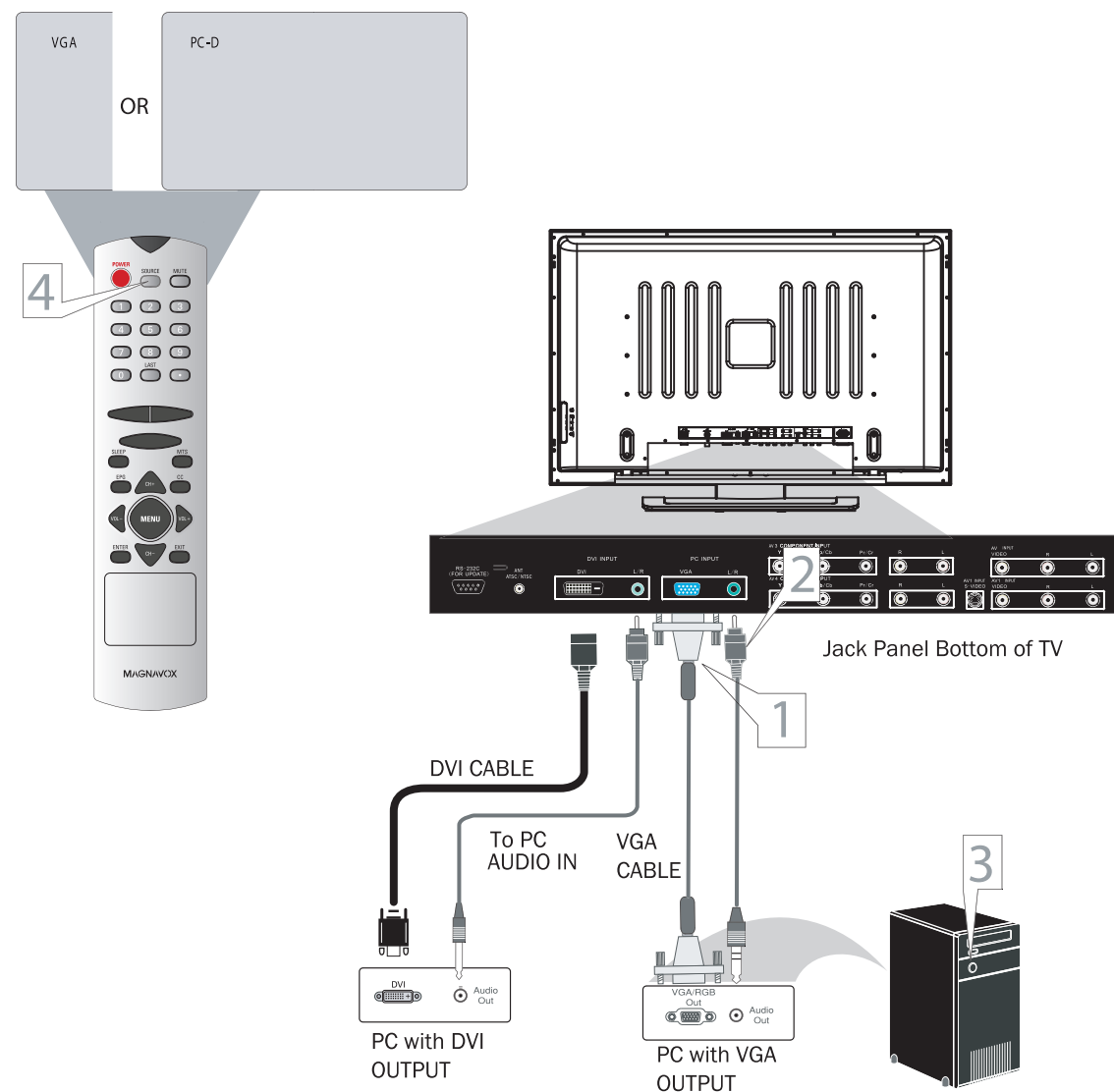


HOOKING UP THE TELEVISION

PC (MONITOR) INPUTS

This TV can be used as a PC Monitor. Your computer will have to be equipped with a VGA (or DVI type video output) and VGA cable (or a DVI cable).

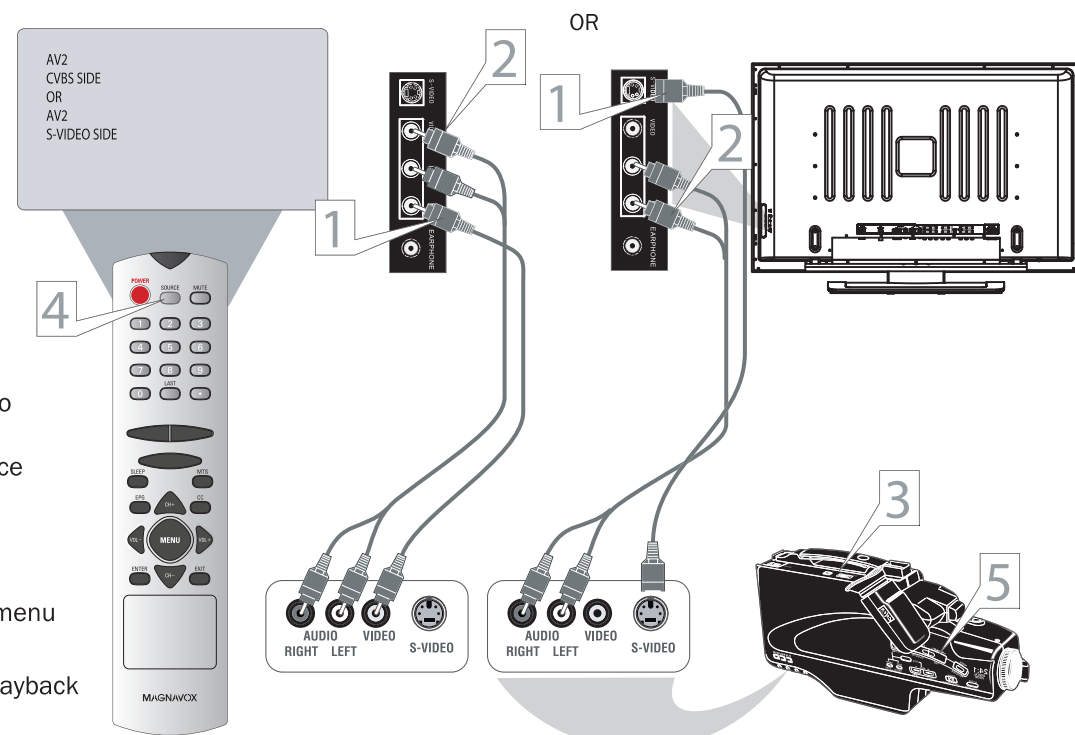
- 1 Connect one end of the VGA Video cable to the Monitor (video) output on the computer to the VGA jack on the bottom of the TV.
OR
if your computer comes with DVI video output, you can use a DVI cable to connect from the computer's DVI output to the PC-D input on the bottom of the TV.
- 2 The TV can reproduce the computer's audio. Using a 3.5mm Stereo Plug cable, connect the Stereo plug to the Audio output jack on the computer (if available) while connecting the PC AUDIO IN on the bottom of the TV.
- 3 Turn the TV and the computer ON.
- 4 Press the source button on the remote control to show the SOURCE menu on VGA or DVI mode.



SIDE/AV INPUTS

Much like the AV jacks, the SIDE/AV jacks allow for extra accessory device connections for items such as cameras or gaming stations. The SIDE/AV Input Jacks are located on the rear of the TV.

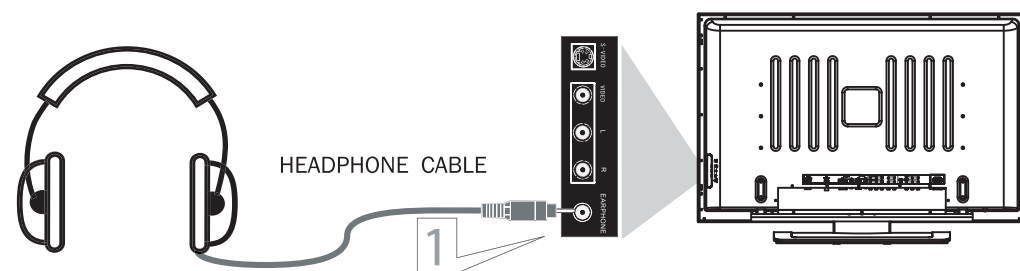
- 1 Connect the VIDEO (yellow) adapter cable to the VIDEO AV2 in jack on the side of the TV. Connect the other end of the VIDEO (yellow) cable to an RCA type VIDEO Cable. Connect that cable to the VIDEO OUT jack on the back of the accessory device being used. Note: An S-Video cable can be used in place of the S-Video cable if your device is equipped with an S-Video Output. S-Video provides better video playback.
- 2 Connect the AUDIO (red and white) adapter cable to an RCA type Audio Cable. Connect the other ends of the AUDIO (red and white) cables to the AUDIO (left and right) OUT jacks on the rear of the accessory device being used.
- 3 Turn the accessory device and the TV ON.
- 4 Press the SOURCE button on the remote control to show the Source menu on the CVBS side or S-Video side under AV2 mode.
- 5 With the accessory device ON, press the PLY button to activate the playback on the television.



HEADPHONE CONNECTIONS

The headphone jack can be used to connect to a headphone. If connected to a headphone, there will be no sound from the TV speakers. The sound will come from the audio system of the headphone.

- 1 Connect Headphone jack located on the right rear of the TV to your headphone set.
- 2 Turn the TV and headphone ON. TV sound can be heard through the headphone.



MAGNAVOX
SMART. VERY SMART.

Quick Setup Guide

CONTENTS

Important Notice/Warning	1	AV Input Connections	3
Stand Assembly	1	Component Video Input Connections	3
Basic TV Operation	1	High Definition Input Connections.....	3
Remote Control Button Descriptions	1	PC (Monitor) Input Connections.....	4
Hooking up the Television	1	Rear/SVHS Input Connections.....	4
Remote Control Battery Installation.....	2	Headphone Connections.....	4
Basic Cable/Cable Box TV Connections.....	2		
Basic Antenna TV Connections.....	2		

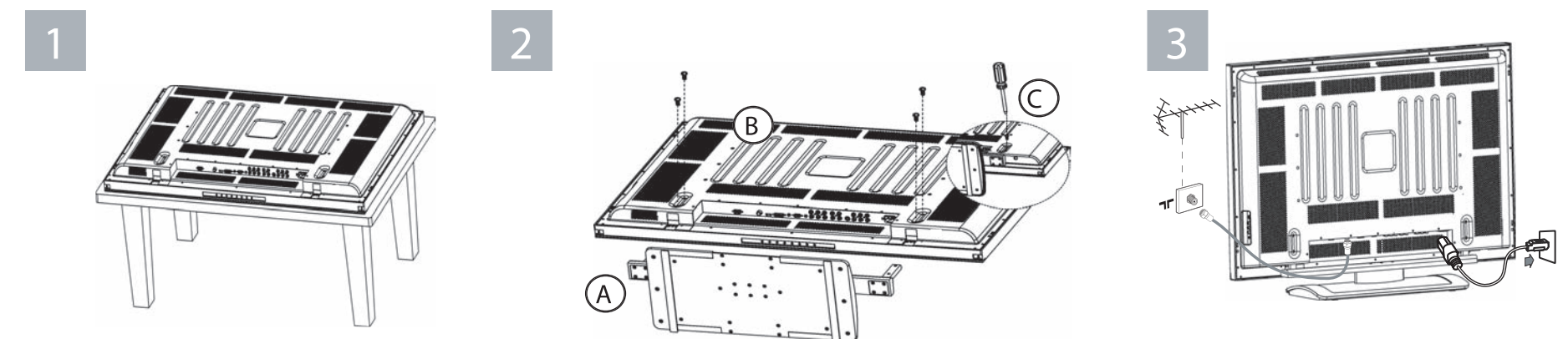
IMPORTANT

NOTE: This owner's manual is used with several different television models. Not all features (and drawings) discussed in this manual will necessarily match those found with your television set. This is normal and does not require that you contact your dealer or request service.

WARNING: TO PREVENT FIRE OR SHOCK HAZARD DO NOT EXPOSE THIS UNIT TO RAIN OR EXCESSIVE MOISTURE.

BASIC TV OPERATION

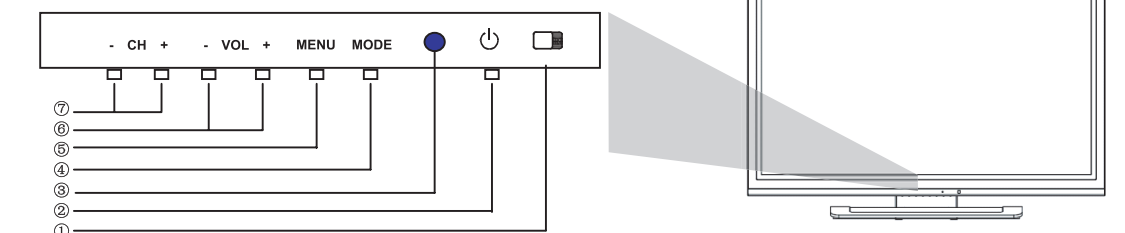
First, assemble the TV using the steps below:



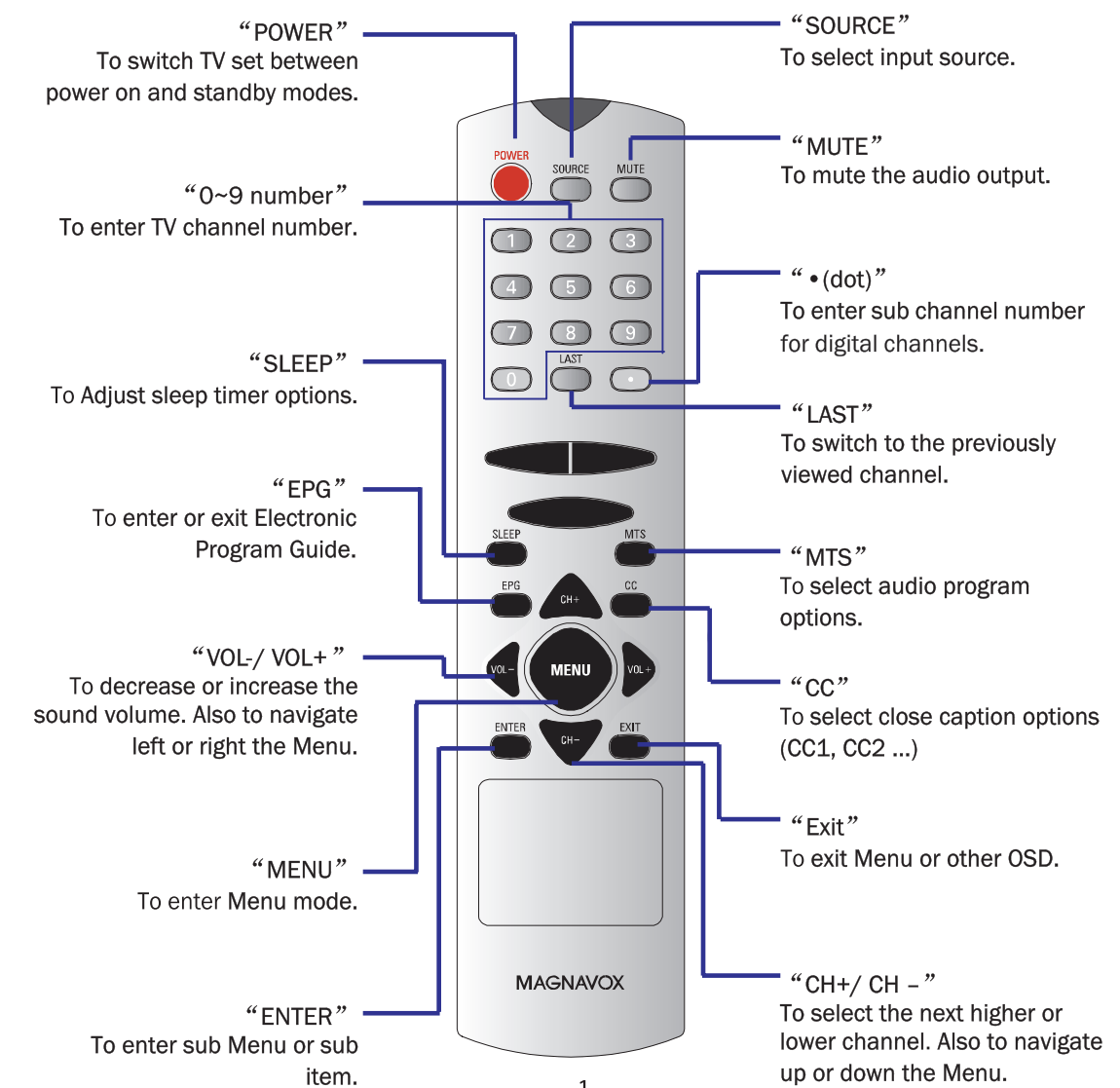
TELEVISION

This television has a set of controls located on the side of the cabinet for use when the remote control is not needed.

①	IR: Remote Control Sensor.
②	Power switch: Press to power on or power off the TV set.
③	LED: Power Indicator.
④	MODE: Mode: Press to select input signal modes or use as Enter in Menu operation.
⑤	MENU: Menu: Press to enter Menu or exit Menu.
⑥	- VOL+ : Left: Press to decrease the sound volume level or move Left in Menu operation. Right: Press to increase the sound volume level or move Right in Menu operation.
⑦	- CH+ : Down: Press to select the next lower Programme number or move Down in Menu operation. Up: Press to select the next higher Programme number or move up in Menu operation.



REMOTE CONTROL BUTTONS



HOOKING UP THE TELEVISION

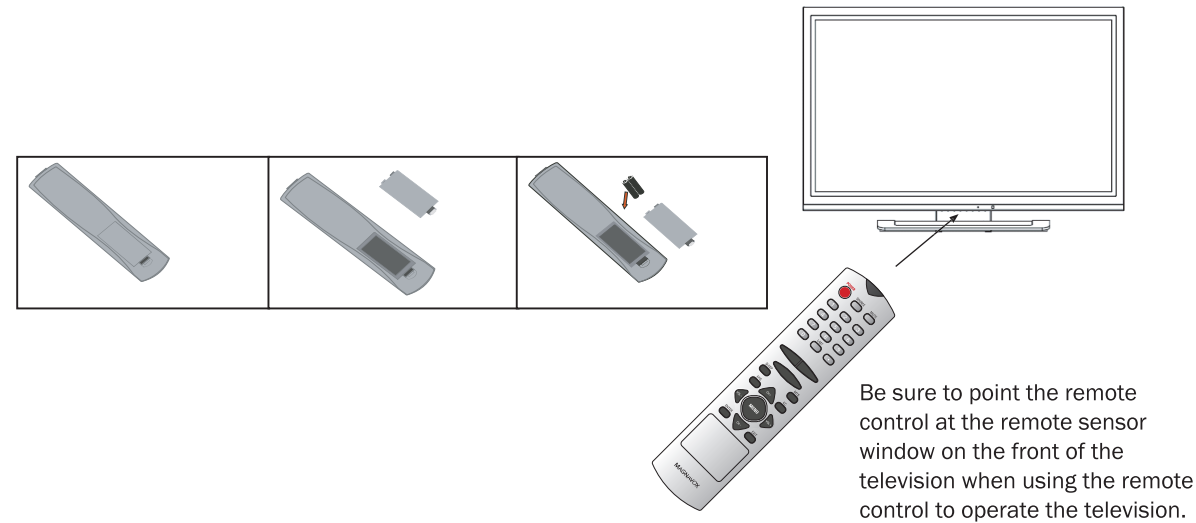
REMOTE CONTROL BATTERY

To load the supplied battery into the remote:

- 1 Press and open the cover.
- 2 Align the batter according to the (+) and (-) as indicated inside the case.
- 3 Replace the cover.

If television does not respond to the remote control, check the battery in the remote control:

- 1 Remove the battery compartment door on the back of the remote.
- 2 Check that the (+) end of the battery (3V) face up correctly. Reattach the battery compartment door.



CABLE / CABLE BOX TV

Direct Cable Connection:

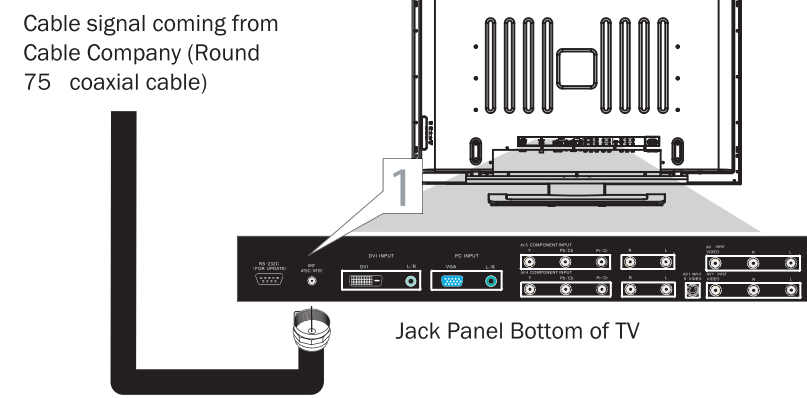
Your Cable TV input into your home may be a single (75 ohm) cable or use a cable box decoder. In either case the connection is very simple. Follow the steps below to connect your cable signal to your new television.

Direct Cable Connections:

This connection will supply stereo sound to the TV.

- 1 Connect the open end of the round Cable Company supplied cable to the 75 input on the bottom of the TV. Screw it down finger tight.

IMPORTANT! You will need to install the TV channel on your new TV, via the TV menu. Please see the user guide for detailed instruction.

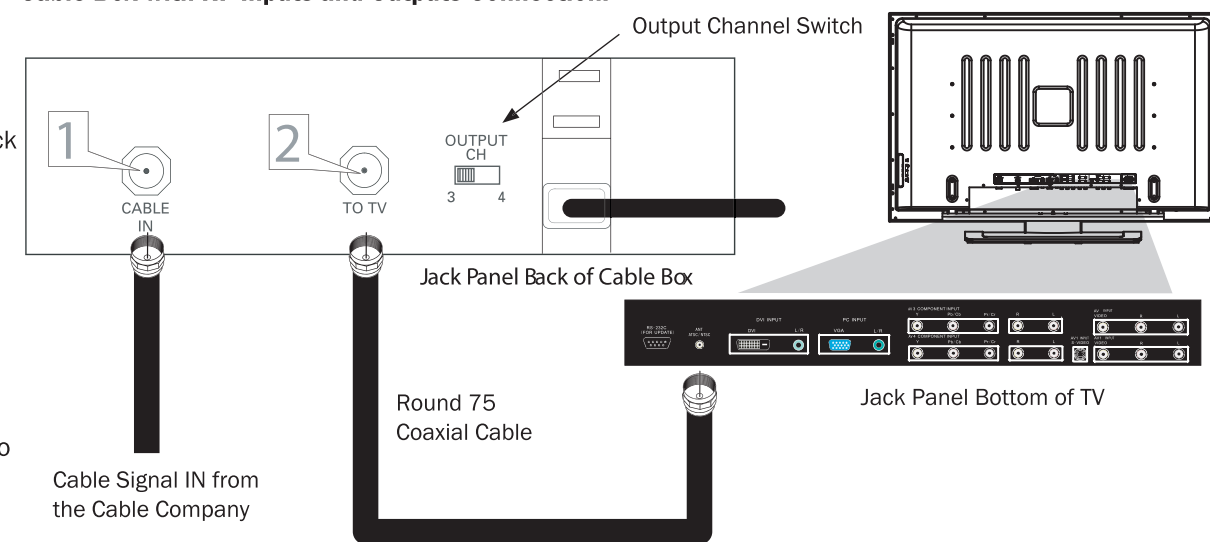


Cable Box (w/RF In/Outputs):

This connection will NT supply Stereo sound to the TV. The sound from the cable box will be mono.

- 1 Connect the open end of the round Cable Company supplied cable to the cable signal IN(put) plug on the back of the Cable Box.
- 2 Using an RCA type Video Cable, connect one end of the cable to the Video (yellow) (or ANT, your cable box may be labeled differently) Out jack on the cable box and the other end to the Video In jack on the bottom of the TV.
- 3 Using an RCA type Audio Left and Right Cable, connect one end to the left and right Audio Out L & R jacks (red & white) on the cable box and the other ends to the Audio In L & R jacks on the bottom of the TV.

Cable Box with RF Inputs and Outputs Connection:

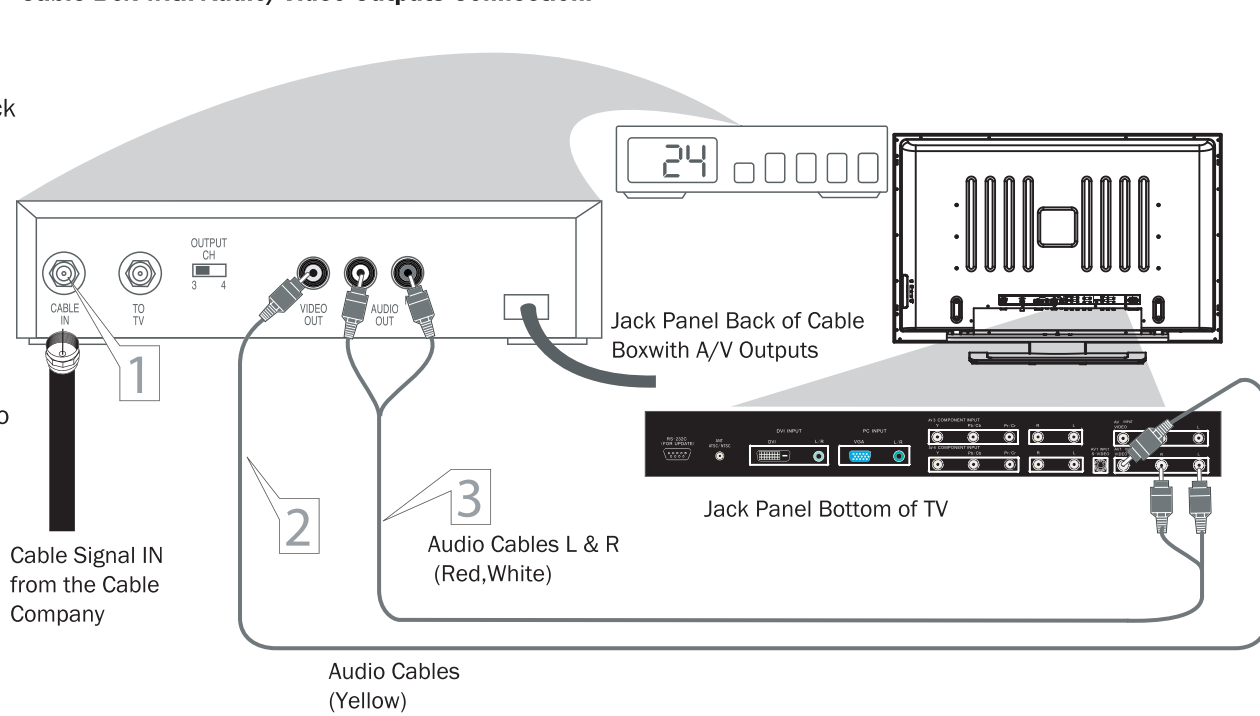


Cable Box (w/Audio/Video Outputs):

This connection will supply Stereo sound to the TV.

- 1 Connect the open end of the round Cable Company supplied cable to the cable signal IN(put) plug on the back of the Cable Box.
- 2 Using an RCA type Video Cable, connect one end of the cable to the Video (yellow) (or ANT, your cable box may be labeled differently) Out jack on the cable box and the other end to the Video In jack on the bottom of the TV.
- 3 Using an RCA type Audio Left and Right Cable, connect one end to the left and right Audio Out L & R jacks (red & white) on the cable box and the other ends to the Audio In L & R jacks on the bottom of the TV.

Cable Box with Audio/Video Outputs Connection:



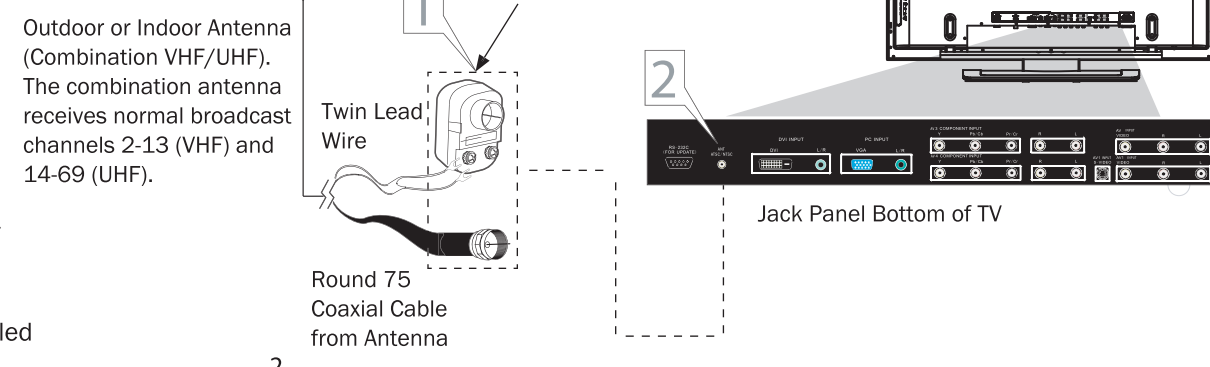
NOTE: Use the AV+ button and the CURSOR DOWN/RIGHT on the TV remote control to tune to the AV channel for the cable box signal. Once tuned, change channels at the cable box, not the television.

ANTENNA TV

Antenna Connection:

A combination antenna receives normal broadcast channels (VHF 2-13 and UHF 14-69). Your connection is easy because there is only one 75 (ohm) antenna plug on the back of your TV's where the antenna goes.

- 1 If your antenna has a round cable (75 ohm) on the end, then you're ready to connect it to the TV. If your antenna has (300 ohm), you first need to attach the antenna wires to the screws on a 300- to 75-ohm adapter.
 - 2 Push the round end of the adapter (or antenna) onto the 75(ohm) plug on the bottom of the TV. If the round end of the antenna wire is threaded, screw it down finger tight.
- IMPORTANT!** You will need to install the TV channel on your new TV, via the TV menu. Please see the user guide for detailed instruction.

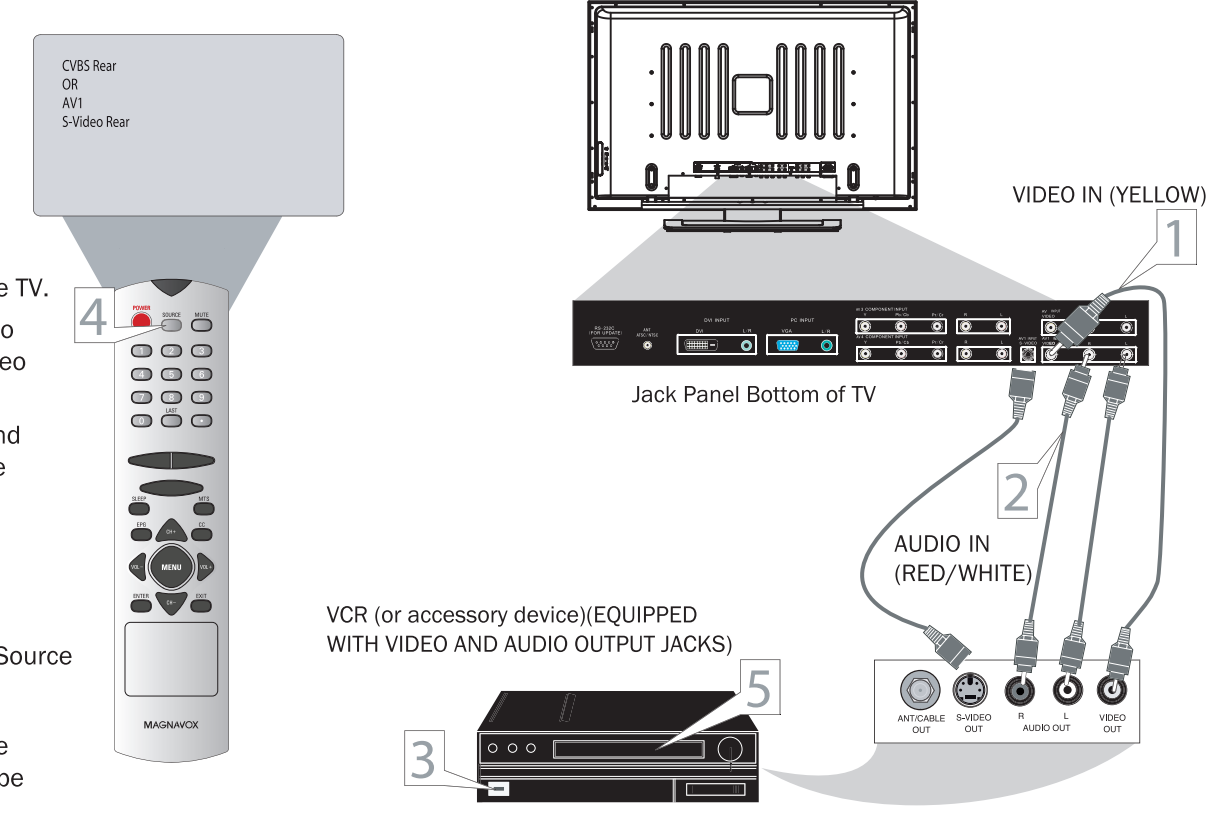


HOOKING UP THE TELEVISION

Rear/AV INPUTS

The audio/video input jacks on the bottom panel of the TV are for direct picture and sound connections between the TV and a VCR (or similar device) that has audio/video output jacks.

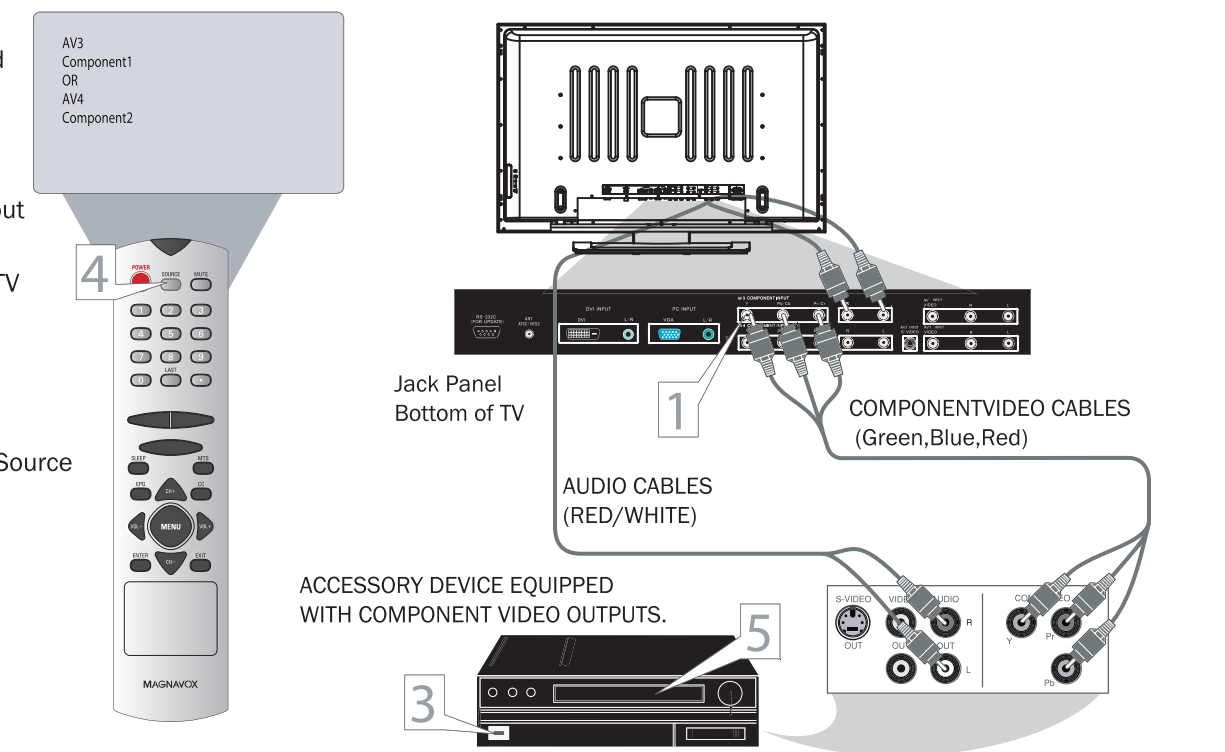
- 1 Using an RCA type Video cable, connect one end of the cable to the Video (yellow) Out jack on the VCR or accessory device and the other end to the AV Video In jack on the bottom of the TV.
- NOTE: A S-Video cable can be used in place of the yellow video cable if your device is equipped with an S-Video Output. S-Video provides better video playback.
- 2 Using an RCA type Audio Left and Right cable, connect one end to the left and right Audio Out L & R jacks (red & white) on the VCR or accessory device and the other ends to the Audio In L & R jacks on the bottom of the TV.
 - 3 Turn the VCR or accessory device and the TV on.
 - 4 Press the SOURCE button on the remote control to show the Source List menu on the CVBS rear or S-Video rear under AV1 mode.
 - 5 With the VCR (or accessory device) ON and a prerecorded tape (CD, DVD, etc.) inserted, press the PLAY button to view the tape on the television.



COMPONENT (CVI) INPUTS

Component Video inputs provide the highest possible color and picture resolution in the playback of digital signal source material, such as DVD players.

- 1 Connect the Component (YPbPr1/YPbPr2) Video OUT jacks from the DVD player (or similar device) to the CVI-1VIDEO Input (Y green, Pb blue, Pr, red) jacks on the bottom of the TV.
- 2 Connect the red and white AUDIO CABLES on the rear of the TV to the Audio (left and right) output jacks on the rear of the accessory device.
- 3 Turn the TV and the DVD player (or digital accessory device) ON.
- 4 Press the SOURCE button on the remote control to show the Source List menu on the AV3(YPbPr1) or AV4(YPbPr2).
- 5 Insert a DVD disc into the DVD player and press the PLAY button on the DVD Player.



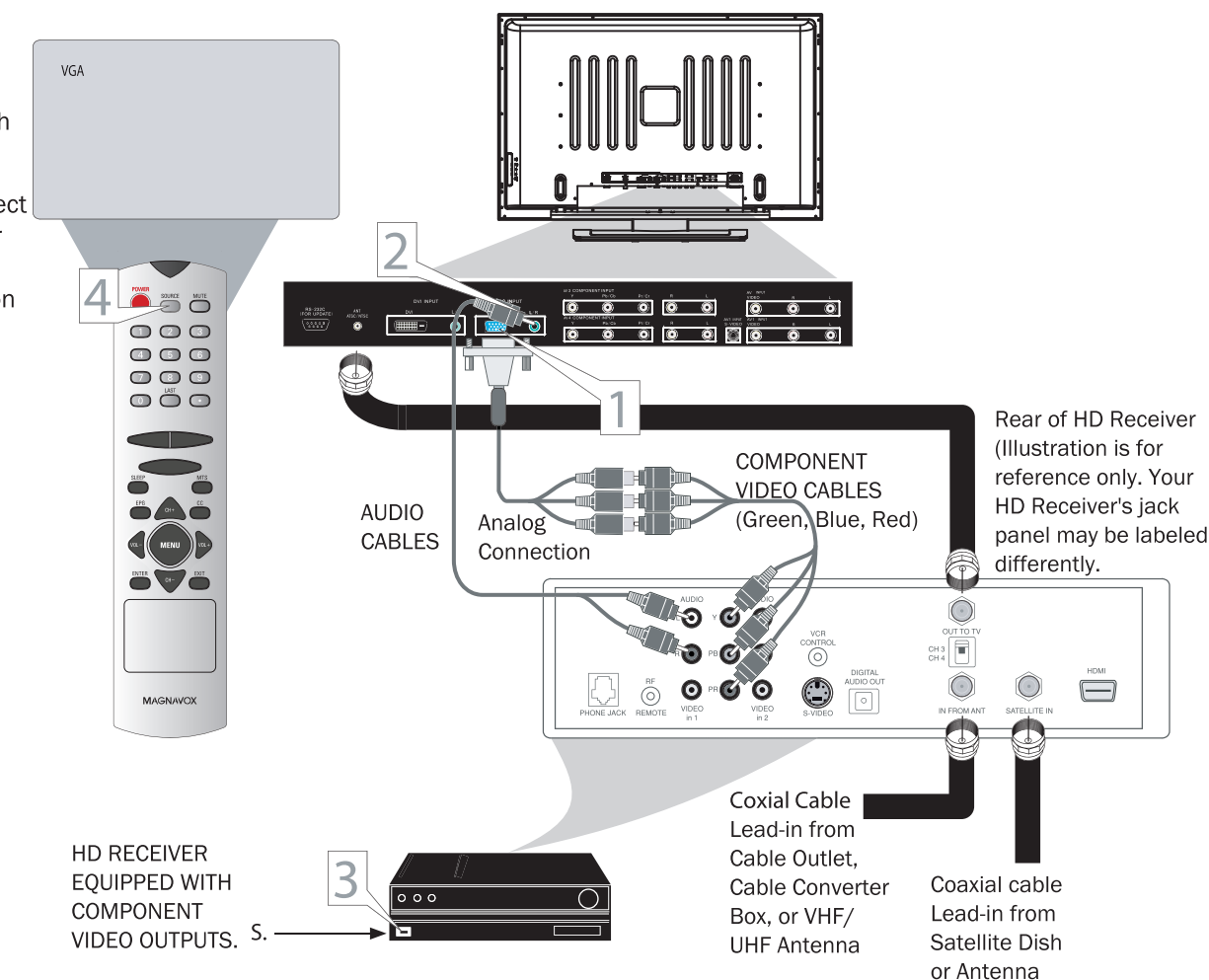
HELPFUL HINT

The description for the component video connectors may differ depending on the DVD player or accessory digital source equipment used (for example, Y, Pb, Pr; Y, B-Y, R-Y; Y, Cr, Cb). Refer to your DVD player or digital accessory owner's manual for definitions and connection details.

HD (HIGH DEFINITION) INPUTS

If you are using a High Definition receiver that can transmit high definition programming, the TV can accept those signals through the HD Inputs located on the bottom of the TV.

- 1 For Analog Connection, use Component Video cables to connect the Component (Y, Pb, Pr) Video Out jacks of the HD Receiver (or similar device) to the VGA adapter (supplied with the TV). Connect the other end of the adapter to the VGA Input jacks on the bottom of the TV.
- 2 Connect the red and white audio cable to RCA type Audio Cables. Connect the audio adapter to the PC Audio In L & R jacks on the bottom of the TV.
- 3 Press the SOURCE button on the remote control to show the Source on the VGA mode.
- 4 Turn the TV and the HD Receiver ON.



HD RECEIVER EQUIPPED WITH COMPONENT VIDEO OUTPUTS.